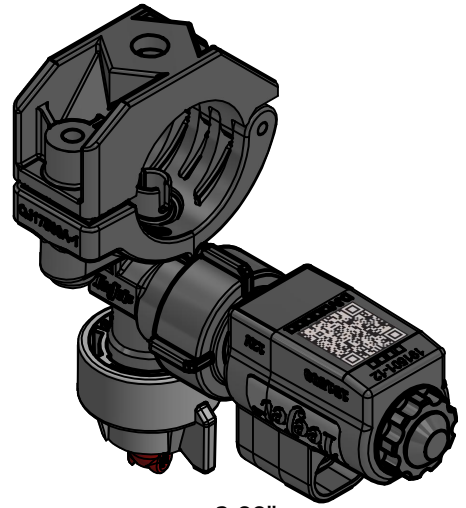


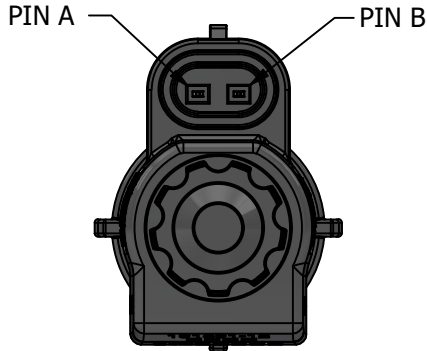
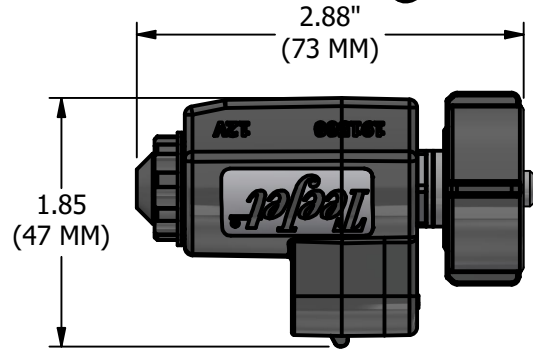
**FEATURES**

- ELECTRIC SOLENOID SHUT-OFF VALVE
- VALVE IS NORMALLY CLOSED FOR SAFETY
- MAXIMUM 100 PSI (7 BAR) SPRAYING PRESSURE AT MINIMUM VOLTAGE (12V) 0.6 GPM (2.27 LPM) AT 5 PSI (0.34 BAR) PRESSURE DROP
- 0.8 GPM (3.18 LPM) AT 10 PSI (0.69 BAR) PRESSURE DROP
- ALL WETTABLE PARTS ARE STAINLESS STEEL OR FKM EQUIVALENT
- CURRENT DRAW OF 0.45 AMPS (10 WATTS) AT 24 VOLTS
- VOLTAGE ENERGIZES THE SOLENOID COIL TO OPEN THE VALVE
- REMOVAL OF POWER ALLOWS A SPRING TO CLOSE THE VALVE
- REQUIRES 98552-2 CABLE W/2-PIN FEMALE SUPERSEAL 1.5 CONNECTOR



**WIRING CHART**

| PIN TERMINAL                                   | WIRING       |
|--|--------------|
| 1  | (+) POSITIVE |
| 2  | (-) NEGATIVE |
| NOTE: (+) & (-) TEMRINALS CAN BE INTERCHANGED. |              |



NOTE: IT IS RECOMMENDED TO INCLUDE A LINE STRAINER OF 80 MESH OR FINER WITH ALL e-CHEMSAVER® APPLICATIONS

| TEEJET NOZZLE BODY               | e-CHEMSAVER P/N |
|----------------------------------|-----------------|
| QJ8360, QJT8360, 8360            | 191500-1-24     |
| QJ17560A                         | 191500-1-24     |
| QJP19011                         | 191500-1-24     |
| QJ200 SERIES                     | 191500-1-24     |
| QJ300 SERIES                     | 191500-1-24     |
| QJ39685                          | 191500-1-24     |
| 13431                            | 191500-1-24     |
| 24216A, QJ24216B, 24230A, 24231A | 191500-1-24     |
| PUSH-TO-CONNECT SERIES           | 191500-1-24     |
| QJ360C, QJ360F                   | 191500-2-24     |
| QJ370, QJ370D                    | 191500-2-24     |
| QJ22187                          | 191500-2-24     |
| QJ8355, 8355                     | 191500-2-24     |
| QJS SERIES                       | 191500-4-24     |

**HOW TO ORDER:**

**191500-24**

TYPE (SEE APPLICATION CHART) →

VOLTAGE →

CABLE LENGTH CODE →

BLANK = NO CABLE  
 05 = 0.5 METER (20")  
 98552-2-\_\_: CABLE (SEE DS98552)  
 CP116231-NYB: MAINTENANCE TOOL (DS116231)

**DESCRIPTION:**

191500-24 e-CHEMSAVER  
 DYANJET® VALVE



|              |          |                    |   |
|--------------|----------|--------------------|---|
| REVISION NO. | 1        | Parts List No.     |   |
| REFERENCE:   | 04/25/24 | <b>DS191500-24</b> |   |
| SHEET:       | 1 OF 1   | DWG SIZE:          | A |